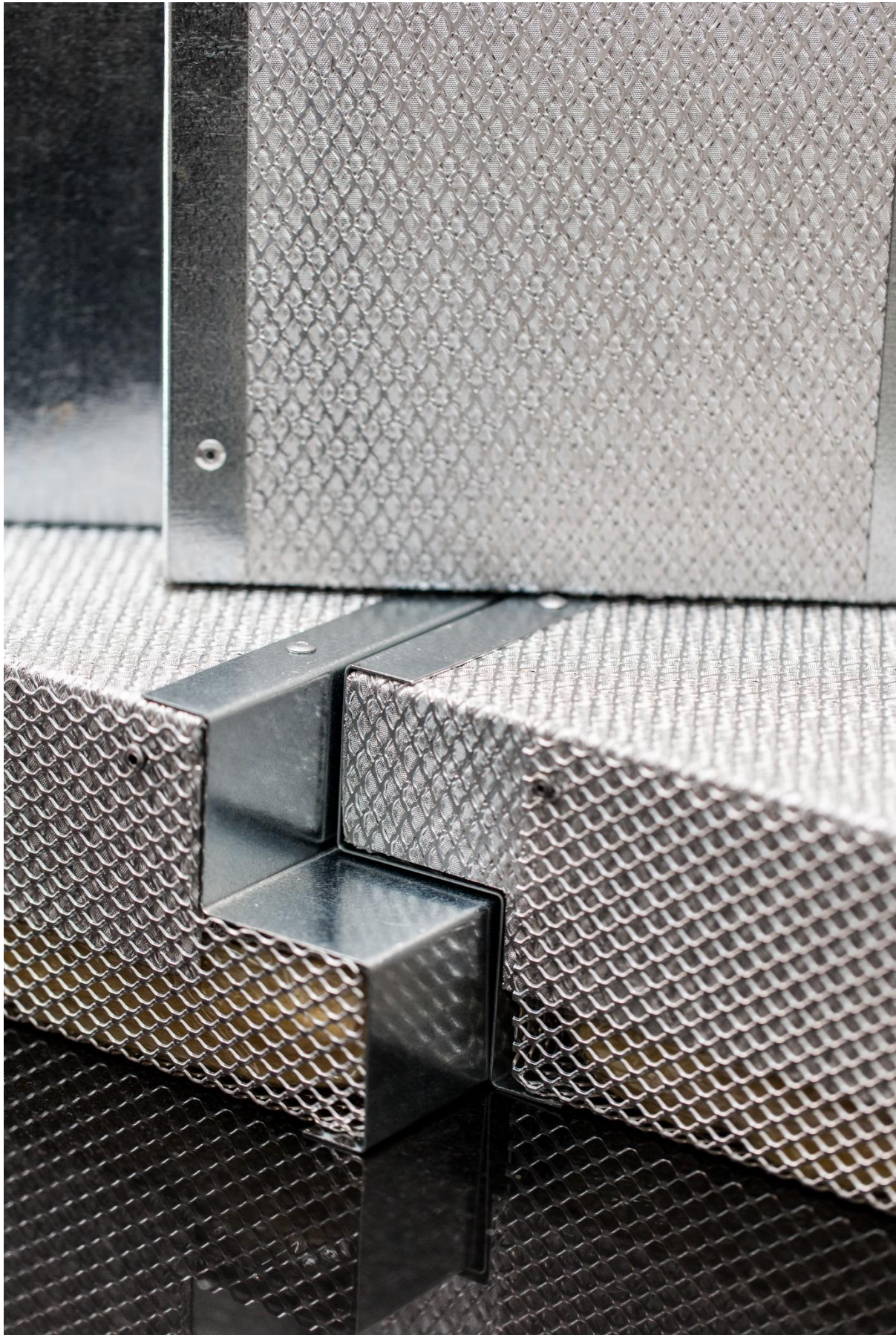
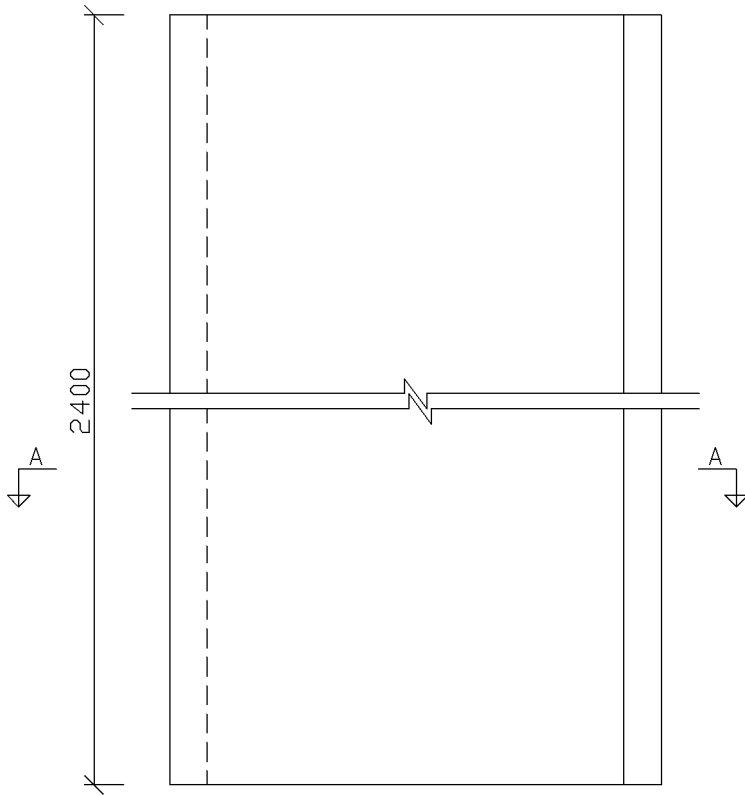
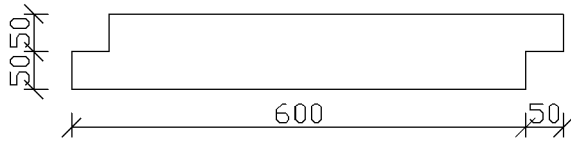


ACOUSTIC SOUND ABSORBER IN EXPANDED METAL MESH

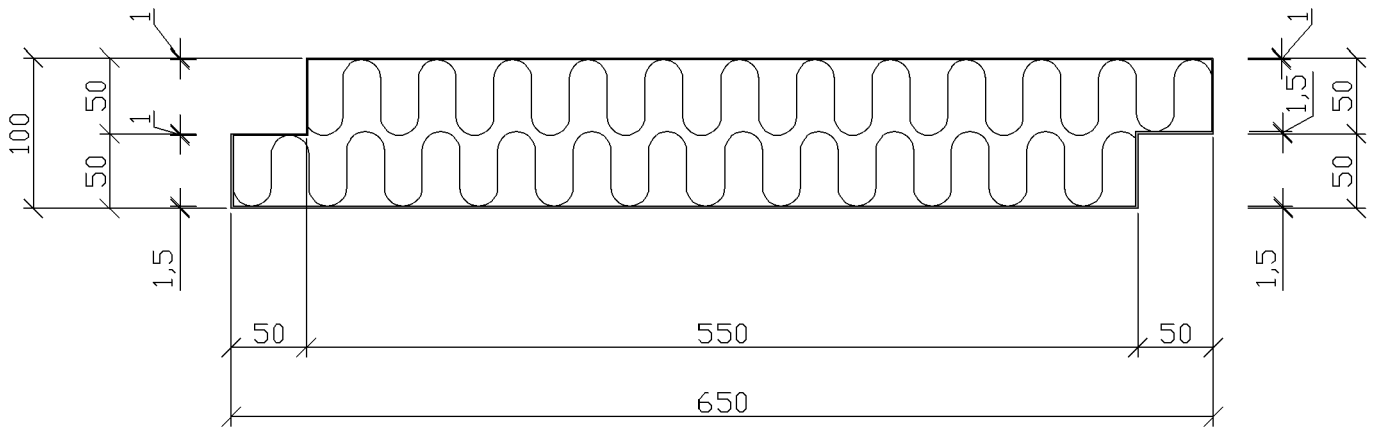
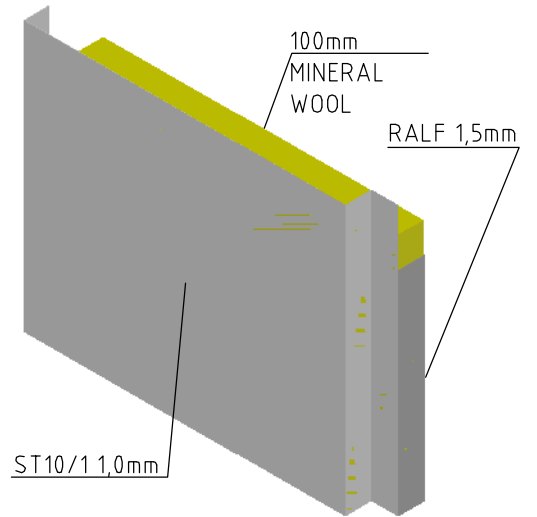
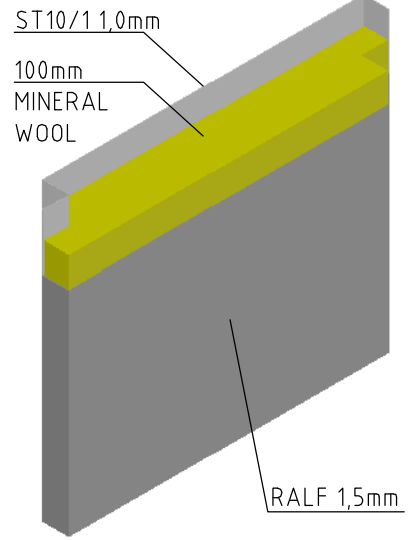




ELEVATION



A - A



A - A 1:5

ACOUSTIC SOUND ABSORBER - CLASS A
NS-EN ISO 11654 AND 354



SOUND ABSORPTION PROPERTIES

FREQUENCY Hz	125	250	500	1000	2000	4000
ABSORPTION COEFFICIENT	0,77	1,19	1,23	1,05	0,94	0,77

STREKKMETALL AS

ADRESSE: RAMSDALEN 1B, 4517 MANDAL
LAGER: DONEHEIA 68, 4516 MANDAL
TLF KONTOR: +47 38 26 39 74
MOBIL: +47 47 68 09 83
E-POST: post@strekkm Metall.com

ACOUSTIC SOUND ABSORBER - CLASS A

STANDARD ELEMENT 600x2400

SCALE 1:10

FORMAT A4